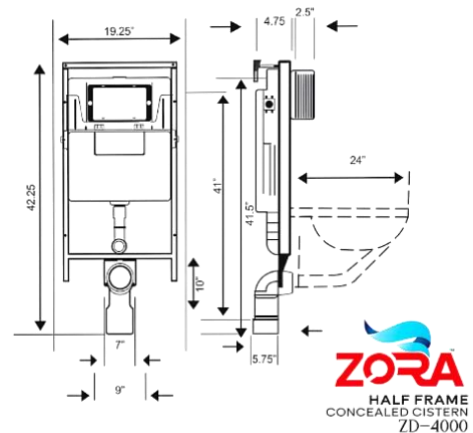


CONCEALED ZD-4000 MODEL



Application Purpose

- For installation in ships
- For installation in part-room-height prewall installations
- For installation in room-height installation walls
- For floor-standing and wall-hung WCs

Characteristics

- Concealed cistern with front actuation
- Concealed cistern fully insulated against condensation
- Immediate post flush possible with factory setting
- Flush bend fitted
- Tool-free installation and maintenance work on concealed cistern
- Water Supply connection on the top center
- Protection cover box for service opening protects against moisture and dirt
- Protection box for service opening can be cut to length

Technical data

- Flow Pressure 0.1-10 bar
- Flush volume , factory setting 6 and 3

CONCEALED ZD-4000 MODEL

- Flush volume large, adjustment range 4.5 / 6 / 7.5 Ltr
- Flush Volume small, adjustment range 3-4 / 5 Ltr

Scope of delivery

- Protection box for service opening
- Flush bend 90°
- 2 fixing brackets
- Fastening material